



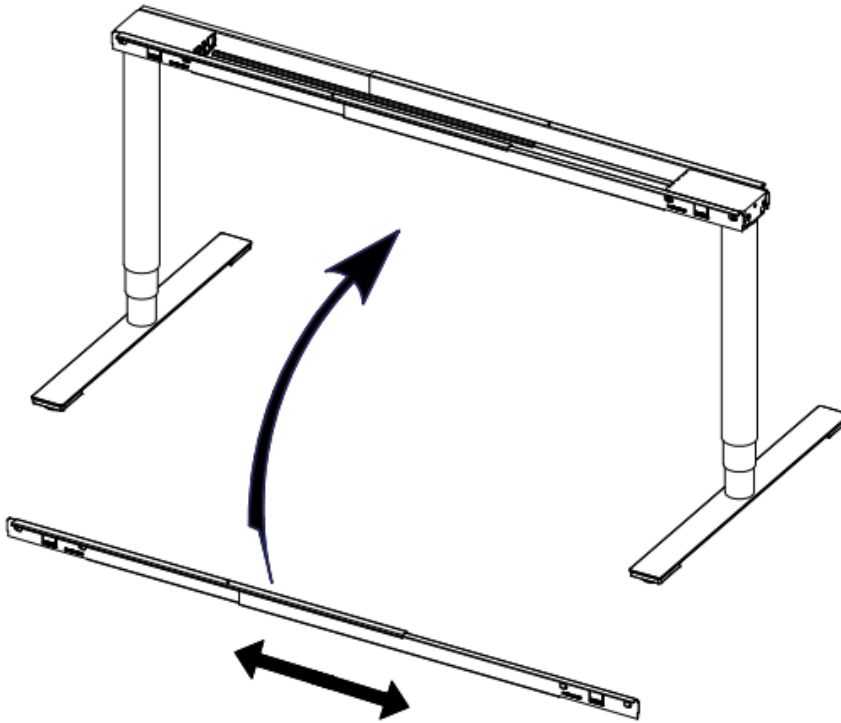
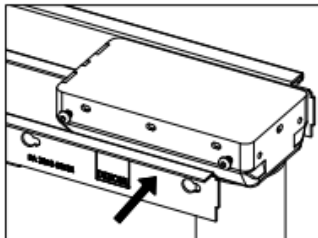


| | | | | | | | | |
|---|---|---|--------|---|--------|---|---|---|
| A | B | C | 3,5x25 | D | 5,0x16 | E | F | G |
|  |  |  | 2 stk. |  | 2 stk. | | | |
| 4 stk. | 4 stk. | | | | | | | |

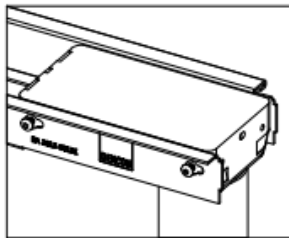
1



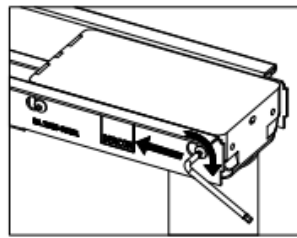
1a

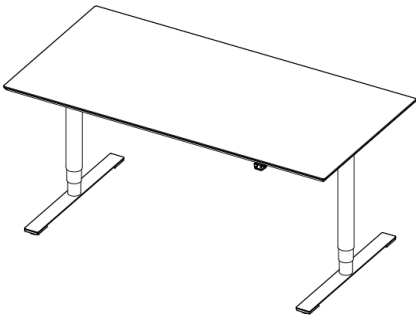


1b

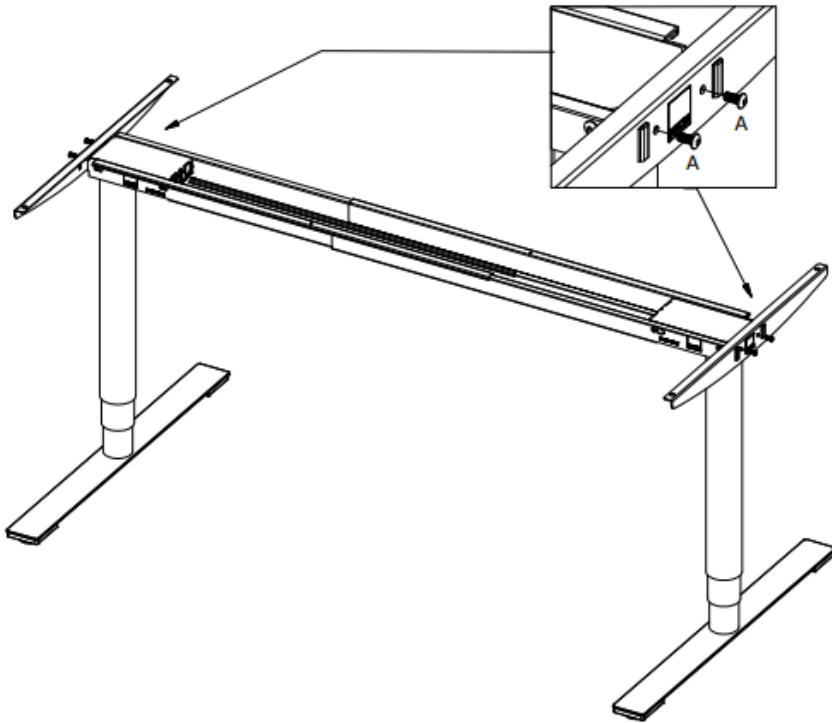


1c

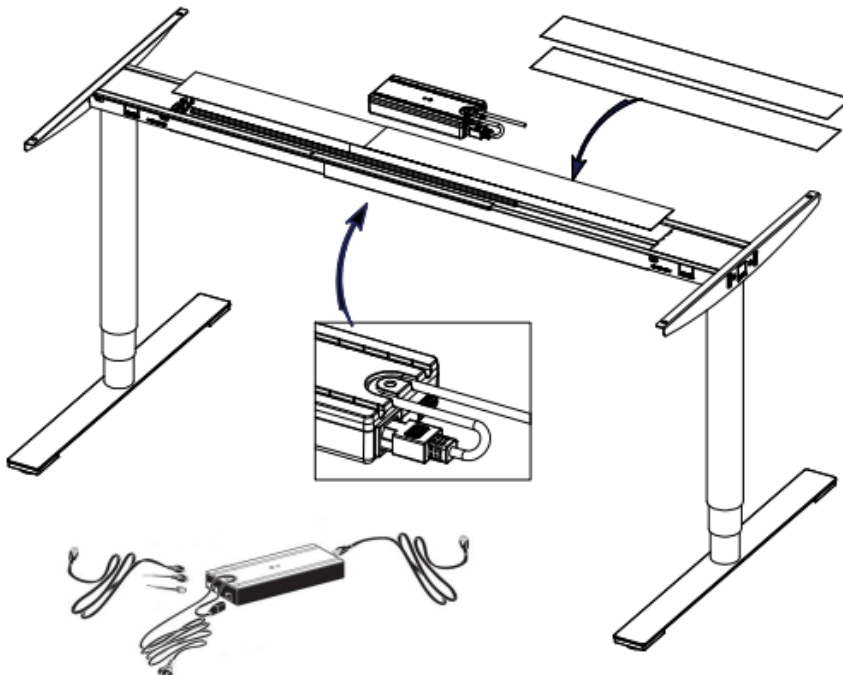


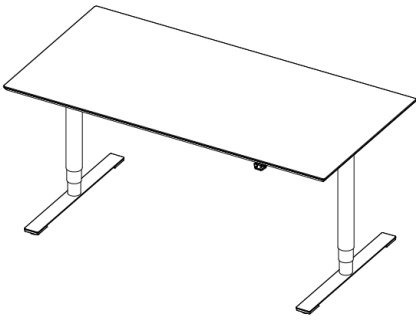


2



3





4

